

MTR-PCU Series

Phase Coupler For PLC

This is the device that enables inter-phase communication by coupling the communication signal among the electronic phases. This is power line communication parts that block voltage of 50~60 Hz, allowing only the passing through of the power line communication signal.

Advantage

- Delivery of the communication signal among different phases
- BNC communication port attachment that can link with the transmission device and analysis device for power line communication
- Able to evaluate the motion characteristics of the device for power line communication
- Broadband coupling frequency characteristics : 90 kHz ~ 40 MHz
- Low insertion loss : -3 ± 2 dB
- Able to apply to diverse power systems : 1 phase 2 wire, 3 phase 3 wire, 3 phase 4 wire



MTR-PCU-WT1



MTR-PCU-WS1B



MTR-PCU-WK1B

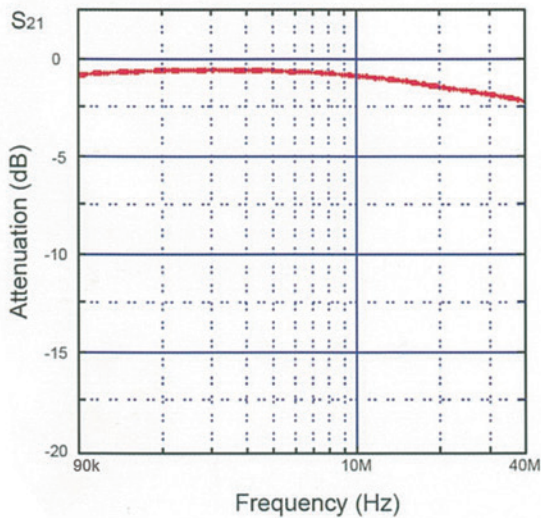
Specification

Model	MTR-PCU-W Series		
	PCU-WS	PCU-WK	PCU-WT
Application	1 Phase 2 Wire	3 Phase 3 Wire	3 Phase 4 Wire
Frequency	90 kHz ~ 40 MHz		
Attenuation (dB)	- 3 ± 2		
Dimension (mm) L x W x H	105 x 53 x 32		
Wires Length (m)	1		
Option	Connect Port	BNC or TNC	

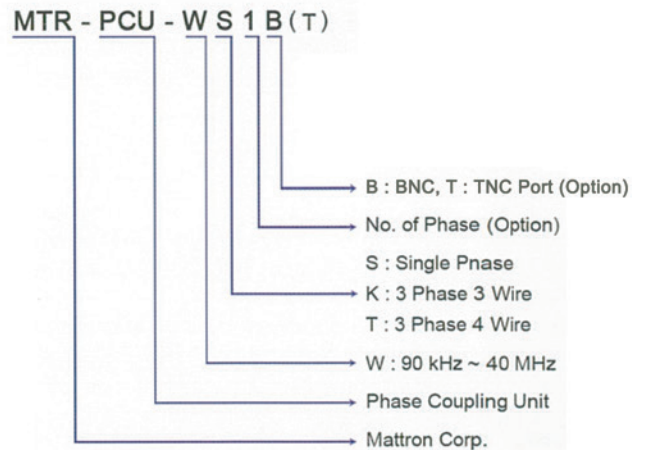
MTR-PCU Series

ezPLC

Property



Ordering Code System



Application

